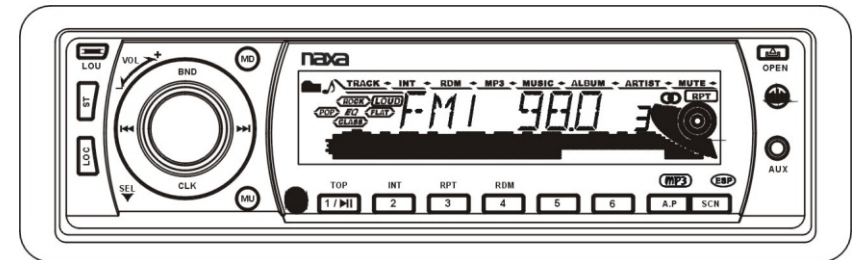




MODEL: NCA-681

## INSTRUCTION MANUAL



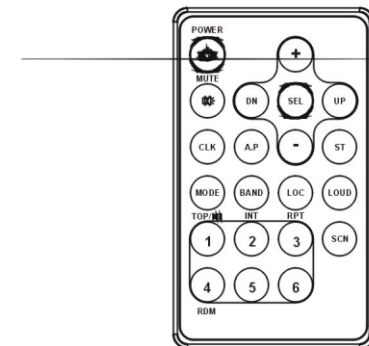
### IMPORTANT INFORMATION REQUIRED BY THE FCC

This device complies with Part 15 of the FCC Rules. Operation is subject to the following two conditions: (1) this device may not cause harmful interference; and (2) this device must accept any interference received, including interference that may cause undesirable operation.

NOTE: This equipment has been tested and found to comply with the limits for a Class B digital device, pursuant to Part 15 of the FCC Rules. These limits are designed to provide reasonable protection against harmful interference in a residential installation.

This equipment generates, uses, and can radiate radio frequency energy and, if not installed and used in accordance with the instructions, may cause harmful interference to radio reception, which can be determined by turning the equipment off and on. The user is encouraged to try to correct the interference by one or more of the following measures:

- \* Reorient or relocate the receiving antenna.
- \* Increase the separation between the equipment and receiver.
- \* Connect the equipment into an outlet on a circuit different from that to which the receiver is connected.
- \* Consult the dealer or an experienced radio/TV technician for help.



**Fold Down Full Detachable PLL Electronic Tuning Stereo AM/FM Radio, MP3/CD Player & Remote Control**

## DEAR CUSTOMER:

Thank you for purchasing this car audio product.

Selecting fine audio equipment such as the unit you have just purchased is only the start of your musical enjoyment. Now it is time to consider how you can maximize the fun and excitement your equipment offers.

We hope you get the most out of your equipment by playing it at a safe level.

One that lets the sound come through loud and clear without annoying blare or distortion, and, more important, without affecting your sensitive hearing.

Sound can be misled. Over time your hearing " comfort level " adapts to higher volumes of sound. So what sounds " normal " can actually be loud and harmful to your hearing.

Guard against this by setting your equipment at a safe level BEFORE your hearing adapts.

- To establish a safe level:

Start your volume control at the lowest setting , then slowly increase the sound until you can hear it comfortably and clearly, and without distortion we want you listening for a lifetime.

- Once you have established a comfortable sound level:

Set the dial and leave it there.

Taking a minute to do this now will help to prevent hearing damage or loss in the future. After all, we want you listening for a lifetime.

- ABOUT THIS MANUAL

This product features a number of sophisticated functions ensuring superior reception and operation. All are designed for the easiest possible use, but many are not self-explanatory. This operation manual is intended to help you benefit fully from their potential and to maximize your listening enjoyment.

- We recommend that you familiarize yourself with the functions and their operation by reading through the manual before you begin using this product. In this operation manual, the Basic Operation for each sound source is outlined at the beginning of its explanation, covering simple operation for that source, such as merely playing music.

Remark:

- In addition to normal audio CD, this unit can play CD-R and CD-R/W disc that contain audio tracks as well; however, depending on the conditions of the recording equipment, recording program or the CD-R as well as CD-R/W disc itself, some CD-R or CD-R/W may not play.

- When making music CD with CD-R or CD-R/W disc, too high recording speed may result in poor signal quality and therefore, it is recommendable to select 24x or lower speed for CD-R recording and 4x or lower speed for CD-R/W recording.

## SPECIFICATION

### GENERAL

Supply Voltage	DC 12V. Negative Ground
Current Consumption	Max.15A
Power Output	40Watts X 4(measured at DC 14.4V)
Number of channels	2 STEREO channels.
Unit Dimensions	178[W] X 165[D] X 50[H] mm.

### FM SECTION

Frequency range	87.5MHz - 107.9MHz
Effective sensitivity	3uV.
I.F Frequency	10.7MHz.

### AM SECTION

Frequency range	530KHz - 1710KHz
Effective sensitivity	40dB.
I.F Frequency	450KHz

### RCA LINE OUT

Output	1200mV @ CD MAX.
--------	------------------

### CD PLAYER

System	MP3 Audio System.
Suitable CDs	MP3, WMA, CD, CD-R, CD-RW Disc
Frequency characteristics	20Hz-100Hz ≤ 5dB 10KHz-20KHz ≤ 5dB.
S/N Ratio to CD	50dB [1KHz]

## LOCATION AND FUNCTION OF CONTROLS

Fig. 1

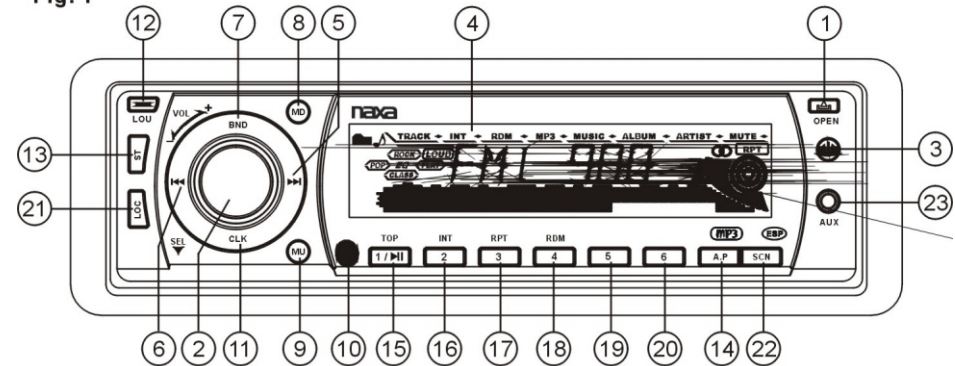
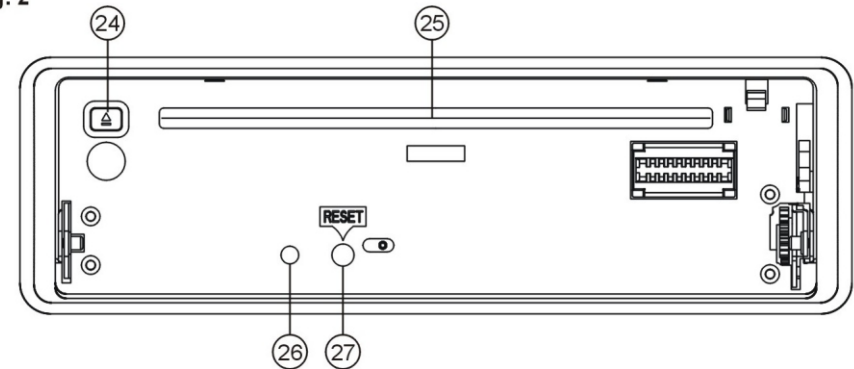


Fig. 2



### 1. OPEN BUTTON

Press the OPEN button to fold down the front control panel.

Then a CD can be inserted into the CD slot or ejected by pressing the EJ button. After flipping down the front panel, push it rightwards firstly, then draw the left of the panel outwards to remove it from the unit chassis.

### 2. SEL BUTTON (Select) AND ROTARY ENCODER

a) Press the SEL button briefly, it is activated as selecting each mode of E. VOL. -> VOLUME -> BASS -> TREBLE -> BALANCE -> FADER -> When selecting a desired audio mode, rotate the VOL knob to adjust the audio effect.

In each mode, the waiting time is about 5 seconds, and the time waiting time is over, it returns to the last display mode of tuner or CDP mode.

The control mode of E.VOL is operated with following numeric display.

- VOL: (MIN)00, 01,.....46, 47(MAX).
- BASS/TRE: -07, -06,.....,00,....+06,+07
- BAL: 0LR9, 1LR9, ..., 9LR9,....., 9LR1, 9LR0
- FAD: 0FR9,1FR9, ...,9FR9,....., 9FR1, 9FR0

b) When pressed longer 2 seconds, it is activated as cyclical mode of following functions for user's selection.

->BEEP (ON/OFF)-> USER SET(FLAT/CLASSIC/ROCK/POP)

->VOL(LAST/DEFA)->CLK(ON/OFF)->CLK(12/24)mode.

After selecting the desired mode, rotate the VOL knob to select one setup item of the desired mode.

#### **BEEP ON/BEEP OFF**

BEEP ON mode: The beep is generated when any key is pressed.

BEEP OFF mode: The beep sound is disabled.

#### **VOL LAST/VOL DEFA**

VOL LAST: The radio switches on at the actual volume it had when it was last switched off.

VOL DEFA: After pressing SEL button, AVOL will be displayed. Then you can pre-select a constant switch-on volume by using the VOL knob.

#### **CLK ON/OFF**

CLK ON: Clock will always show on the display when power off.

CLK OFF: Clock will disappear on the display when power off.

### **3. POWER ON/OFF**

When the unit is power off, the unit comes to ON by pressing the power button. It also can turn on the unit to insert a disc into CD slot.

When the unit is power on, press and hold the power button for more than 0.5 seconds, the unit goes into power off mode.

### **4. LCD Display**

### **5&6. TUNE, SEEK, TRACK, SKIP UP / DOWN BUTTONS**

a) During RADIO mode:

Press the >>| or |<< button shortly to manual tune up/down for the desired radio station frequency step by step.

Press and hold the >>| or |<< button for longer 0.5 seconds, to automatically tune up/down for the radio station frequency of strong signal.

b) During DISC playback mode:

Press the >>| button briefly to play next track.

Press the |<< button briefly to play the current track from the beginning of it if the playing time is more than 2 seconds.

Press the |<< button briefly to play the previous track if the playing time is less than 2 seconds.

Press the >>| or |<< button and hold to skip forwards or backwards, release to resume disc playback.

### **7. BAND BUTTON**

During radio mode, press the BND button briefly to select the radio broadcasting band you would like to hear. The AM/FM band is toggled cyclically through the tuning bands: ->FM 1-> FM 2 -> FM 3 -> AM 1->AM2 ->.

### **8. MODE BUTTON**

Press the MD button to change among tuner(radio), disc(if disc is loaded) and AUX mode.

## **TROUBLE SHOOTING**

Before using the check list please make all the connections first.

If you still have questions after going through the checklist, please consult your local customer service representative.

<b>Common Symptoms</b>	<b>Cause</b>	<b>Solution</b>
There is no power.	The car ignition is switched off.	If the power supply is properly connected to the car accessory, switch the ignition key to " ON " or " ACC " .
	The fuse has blown.	Replace another fuse according to the wiring diagram.
The CDs cannot be loaded.	Presence of CD disc inside the player	Remove the disc in the player then put a new upward
The CDs are loaded only halfway into the CD tray.	The transport screws have not been removed.	Remove the transport screws before using.
The device does not work correctly (EJECT, LOAD, PLAY)	Inserting the disc in upside down	Insert the compact disc with the label facing upward
	The surface of CD is extremely dirty or it is damaged.	Clean the CD or try another CD, if this works correctly, the first CD is properly damaged.
	Temperature inside the car is too high.	Cool off until the ambient temperature returns to normal
There is no sound.	The volume control is set too low.	Turn up the volume properly.
	The device has not been correctly connected.	Check the power and earth connection according to the wiring diagram.
The operation keys do not work	1.The built-in microcomputer is not operating properly due to noise 2.Front panel is not properly fix into its place	1. Switch the device off and on again. Or press the RESET button to resume the program. 2. Reinstall the front panel
The sound of the CD player skips	The installation angle is more than 30 degrees	Adjust the installation angle to less than 30 degrees
	The surface of the road is uneven.	Wait until the road becomes smoother before playing the CD.
	The surface of CD is extremely dirty or it is damaged.	Clean the CD or try another CD, if this works correctly, the first CD is properly damaged.
No radio reception.	The antenna cable is not connected.	Insert the antenna cable firmly into the antenna socket of the device.
In automatic search mode the radio does not stop at a transmitting station.	The transmission signals are too weak.	Tune in to a radio station manually.

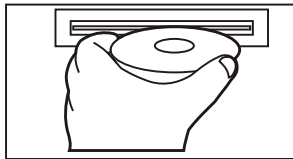
## PRECAUTION OF DISC PLAY:

### Cleaning the CD:

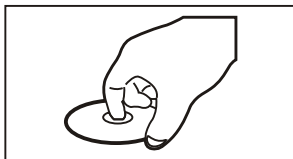
Before playing a CD, wipe it off with a clean, dust-free cleaning cloth. Wipe the disc in the direction of the arrow.



Always insert the CD with the label side facing upwards. If the CD is inserted with the printed side facing downwards, the device may be damaged.



Note: If there is already a CD in the CD slot, do not try to insert a second CD. This may damage the device. Always hold CDs by the edge. In order to keep the CD clean do not touch the surface. Pull out the CD as shown below.



Do not attach any sticker or adhesive tape on the CD. Do not expose the CD to direct sunlight or sources of heat such as heating vents. Do not leave CDs in a car if it is parked in direct sunlight as that will lead to a considerable rise in the temperature inside the car.

Note: Do not use any solvents such as petrol or thinning agents. Commercially available cleaning substances or antistatic spray. This will damage the device.

## 9. MUTE BUTTON

This button serves to switch the MUTED state on/off.

Press the MU button to suppress the loudspeaker temporarily, and press again to resume listening. The muted state will be also released when the MODE, SEL button is pressed and VOL knob on the front panel is used.

## 10. INFRARED REMOTE CONTROL SENSOR

### 11. CLOCK BUTTON

Press the CLK button briefly to display time for 5 seconds on the display, and then returns to its previous display unless the button is pressed again. Then press the CLK button and hold for more than 1 seconds until the real time flashes on the display. Then you can adjust HOUR or MINUTE by rotating the VOL knob.

### 12. LOUDNESS BUTTON

When press shortly, the LOUD mode is turned on, its to enhance the bass sound effect when the volume level is low. Press again to cancel the loudness effect.

### 13. ST/MO BUTTON

In FM mode, press the ST button briefly to select stereo or mono sound mode.

### 14. A.P BUTTON (Auto-storage/Preset scan)

During radio mode:

- 1) Press the A.P button and hold for longer than one second to activate automatic station storage. The radio searches from the current frequency. And then 18 FM or 12 AM signal stations are allocate to the corresponding storage locations each band. When the auto-storage operation is finished, the radio execute the Preset Scan.
- 2) Press the A.P button briefly, the radio searches for each preset station in the current band and holds at that preset number for 5 seconds with releasing mute, and then search again.

During MP3/WMA mode, press the A.P button, it is activated selecting song mode, and the TRK 000 (if the number of tracks is less than 100 and more than 9, it will be TRK 00) will be visible on the LCD display and the hundreds digit 0 that the MP3/WMA disc contains will flash.

Rotate the VOL knob to select and enter the number on the flashing digit place from 0 to 9.

Then press the A.P button to confirm the entered number and the 0 on the tens digit will be flashing.

Rotate the VOL knob to select and enter the number on the flashing digit from 0 to 9.

Then press the A.P button to confirm the entered number and the 0 on the units place digit will be flashing.

Rotate the VOL knob to select and enter the number on the flashing digit from 0 to 9.

After finishing enter all the number of the song serial number on the flashing digit, press the SEL button to play the corresponding track.

## 15-20. PRESET STATION MEMORY AND TOP/>||, INT, RPT, RDM BUTTONS

### a) During radio mode:

When pressed short, these buttons select a preset station directly.  
If the six buttons are pressed for more than 2 seconds, the station currently being listened to is memorized into the selected preset button.

### b) During CD/MP3/WMA mode:

Press the TOP/>|| button briefly to interrupt the playback of the disc.

Press again to resume normal playback.

Press the TOP/>|| button and hold for approximately 0.5 seconds to play the first track of the current disc.

Press the INT button to play the first 10 seconds part of each track, and the LCD will display INT ON.

Press again to stop scan, while the currently selected track will be played, and the LCD will display INTOFF.

Press the RPT button to play the current track repeatedly, and the LCD will display RPT ONE.

Press again to cancel this function, and the LCD will display RPT OFF.

During MP3/WMA mode, press the RPT button twice continuously to play the tracks in the current folder repeatedly and RPT ABM will be visible on the LCD.

Press the RDM button to play all tracks on disc in random order, and the LCD will display RDM ON.

Press again to cancel this function, and the LCD will display RDM OFF.

### c) During the normal playback of CDs in MP3/WMA format:

Press the radio preset button 6 and 5 to move up and down 10 tracks at a time.

## 21. LOC BUTTON

Radio station search mode is divided by this LO/DX switch, this button can be used to control an attenuator in the tuner during search. The detecting level of seek, scan, auto-memory will be reduced as much as the attenuated level of the tuner. In radio mode, press the LOC button to change local reception or distance reception.

Note: This button is only for FM reception. In AM mode, LOC is void.

## 22. SCAN BUTTON

Press the SCN button to scan the radio frequency. If a valid signal has detected, the current frequency will be hold and blinked for 5 seconds, then press SCN again to stop scan and remain the current frequency; otherwise, the radio will go on to scan the other radio frequency five seconds later.

## 23. AUX INPUT JACK

Press the mode button to select auxiliary input playing mode. You can connect any matched external audio device to the auxiliary input jack. Use the volume control to adjust volume.

## 24. EJECT KEY

In the power on state, the loaded disc can be ejected by pressing the EJ key.

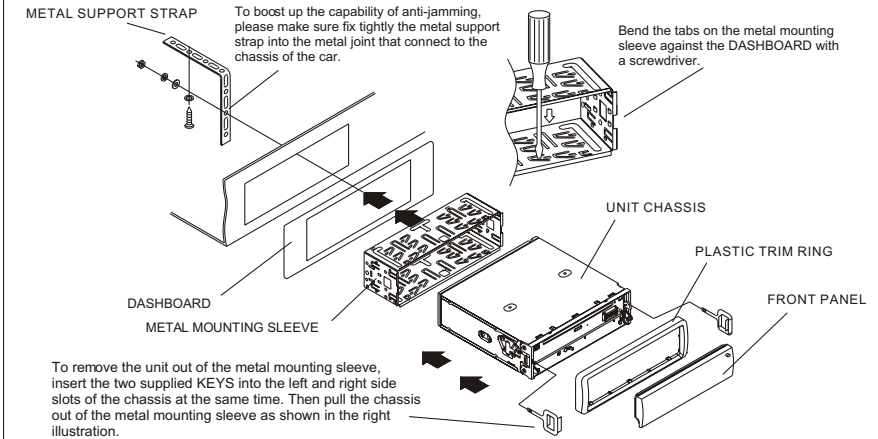
## 25. CD SLOT

## INSTALLATION METHOD

This is an anti-theft installation method.

The main unit wears a METAL MOUNTING SLEEVE.

Please connect the wiring, eg, the Power Supply, the Speakers and the Antenna according to the requirements of this Instruction Manual, then install the metal mounting sleeve into the car as per the diagram illustrated below.

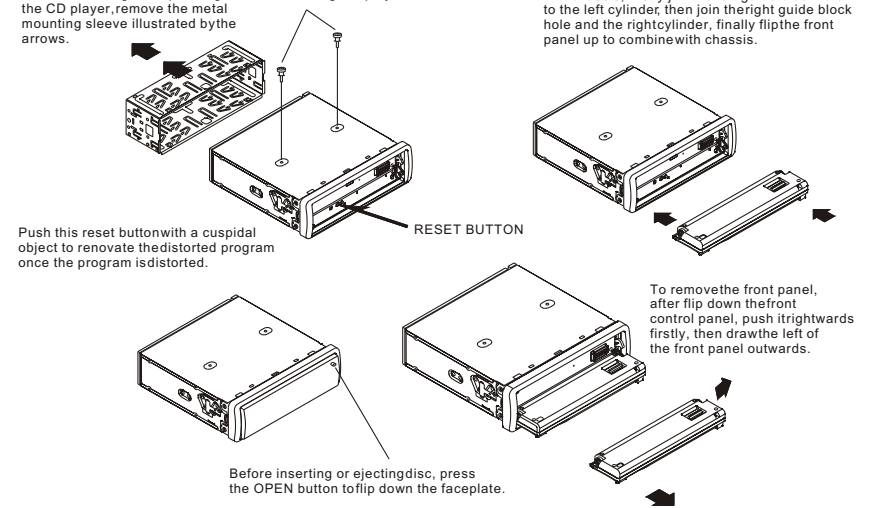


## NOTE

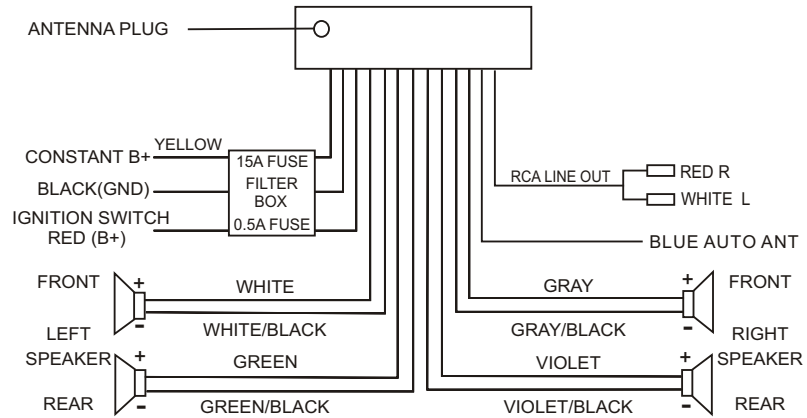
Before mounting and operating the CD player, remove the metal mounting sleeve illustrated by the arrows.

Remove the two screws that fix the CD deck mechanism player during transportation before mounting the player.

To attach the removable faceplate back to the unit chassis, firstly join the left guide block hole to the left cylinder, then join the right guide block hole and the right cylinder, finally flip the front panel up to combine with chassis.



## WIRING DIAGRAM



**Note:**

1. Make sure use a speaker with 4 ohm load impedance.
2. Do not make the auto antenna wire and ground touch each other.

### 26. FLASHING LED

When the front control panel is removed this indicator flashes.

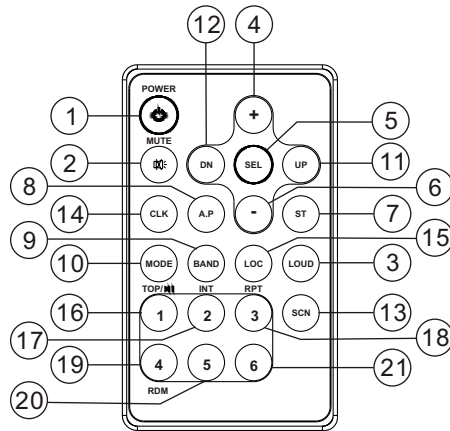
### 27. RESET BUTTON

Before operating the unit for the first time, or after replacing the car battery or changing the connections. You must reset the unit. Press this button with a cuspidal object. This operation will erase the clock setting and some stored contents.



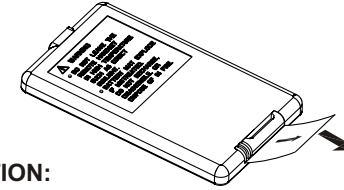
## OPERATION OF REMOTE CONTROLLER

1. Power On/Off.
2. Mute Button
3. Loudness Button
4. Level/MENU UP Button
5. SEL/MENU Button
6. Level/MENU Down Button
7. MO/ST Button
8. A.P Button
9. Band Button
10. Mode Button
11. Tune/Seek Up And Track Skip Up/FF Button
12. Tune/Seek Down And Track Skip Down/REW Button
13. SCAN Button
14. Clock Display /Setting Button
15. LOC Button
16. CD Track TOP/>||/Radio Preset 1
17. CD Track INT/Radio Preset 2
18. CD Track RPT/Radio Preset 3
19. CD Track RDM/Radio Preset 4
20. Radio Preset 5
21. Radio Preset 6



## MAINTENANCE OF REMOTE CONTROLLER

Before using the remote controller, pull out the insulating patch. This patch was installed to insulate the battery from draining until ready to use.

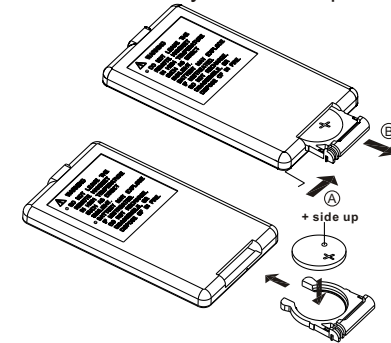


### BATTERY INFORMATION:

Lithium Battery: CR2025 3V  
Battery Life: Approximately 6 months.

### Replacing the Battery from the Remote Controller:

- 1) Remove the battery holder by pressing the locking tab with your thumb and pulling it out.
- 2) Replace the battery with the same type and the "+" side facing up.
- 3) Gently push in the holder until securely locked into place.



### ! WARNING:

- Do not recharge, disassemble or dispose of in fire.
- Battery leakage may cause damage to the unit.
- To avoid the risk of accident, keep batteries out of reach of children.